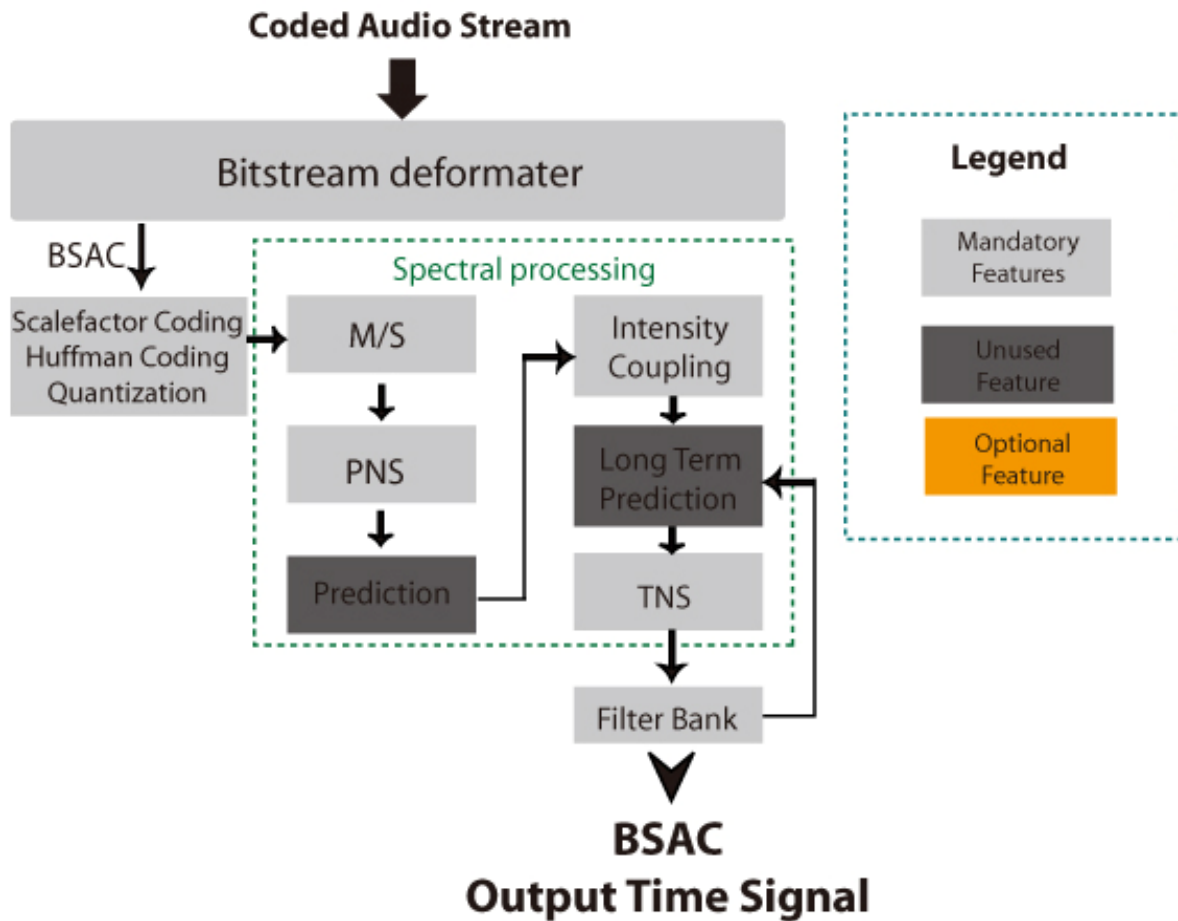


PRODUCT DESCRIPTION



BSAC is a popular MPEG-4 standard that provides fine grain scalability and identical compression rates as AAC. Its bitstream is composed with one base layer and multiple small enhancement layers.

The Pixtree BSAC Decoder is an optimized implementation of MPEG-4 BSAC, audio standard of Terrestrial DMB. The BSAC Decoder supports decoding for payloads (`bsac_raw_data_block()`) of the audio object type ER BSAC of MPEG-4 Audio (ISO/IEC 14496-3).

BENEFITS

- Highly optimized code
- Easy integration
- Low CPU Usage
- Reentrance and Bit-error resilience

FEATURES

Supported bitstream features	Compliance	MPEG-4 ER BSAC Terrestrial DMB
	Channel mode	mono, stereo
	Sample rates (kHz)	8, 11.025, 12, 16, 22.05, 24, 32, 44.1, 48
	Bit rates	up to 288 kbps @ 48kHz stereo
	Frame length	1024 samples
	File formats	RAW (bsac_raw_data_block())
	Supported Software features	Supported library formats
WinCE (Embedded Visual C)		
Data Memory		can be allocated at run-time
API		C callable interface

DECODER PERFORMANCE & MEMORY REQUIREMENTS

	ARM7TDMI	ARM9E
Complexity	19.5 MHz	15.5 MHz
Code ROM	42 kB	42 kB
Constant Data ROM	37 kB	37 kB
RAM	52 kB	52 kB

- Complexity Information - Profiled on an ARM9E, with zero wait state memory interfaces for typical stereo music content at 44.1 kHz.

DELIVERABLES

- BSAC Decoder Library : Binary
- Spec sheet